

## Installation Data Sheet Door Stop Kit for 10/12mm Shuffle-Less Glazing Channels

page 1 of 2

### Introduction

These instructions tell you about installing the Door Stop Kit for 10/12mm Shuffle-Less Glazing Channels.

Please read these instructions before using this product. If there is anything you do not understand or if you want to know more about this item, please contact GA.

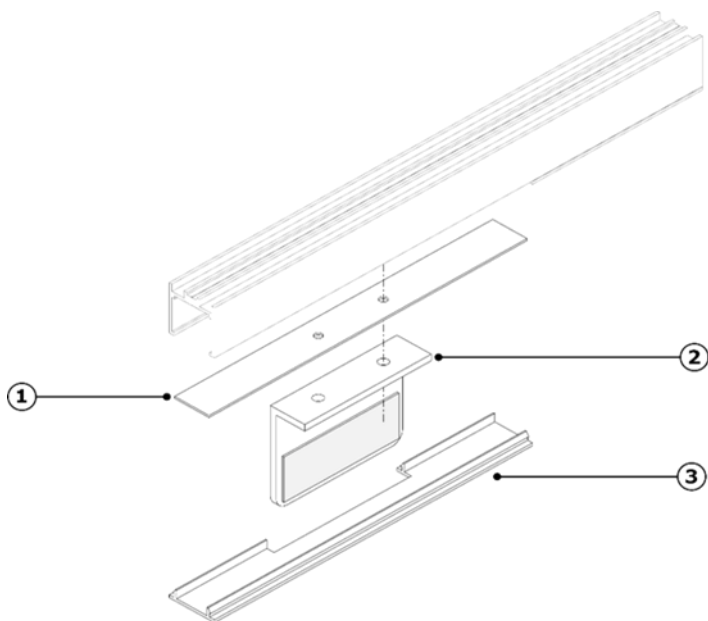
The Door Stop Kit must be installed by suitably qualified contractors with the required knowledge and expertise. Current standard construction methods must be used.

The contractor, has the responsibility and duty to ensure proper safety during and after completion of the installation, so that the Door Stop Kit remains safely secured to the attached surface.

Before beginning the installation please also refer to our Health & Safety guidance on Off-Loading, Site Storage etc.

**The GA Door-Stop Kit consists of the following components (fig 2): -**

- Setting-out plate (1)
- Door Stop (c/w cushion pad) (2)
- Snap-in cover plate (3)



**Fig 2**

ctd next page

GA Helpline 020 8692 2255 Mon-Fri 8.30am-5pm for professional assistance [www.goodngalum.com](http://www.goodngalum.com)

Email: [sales@goodingalum.com](mailto:sales@goodingalum.com)

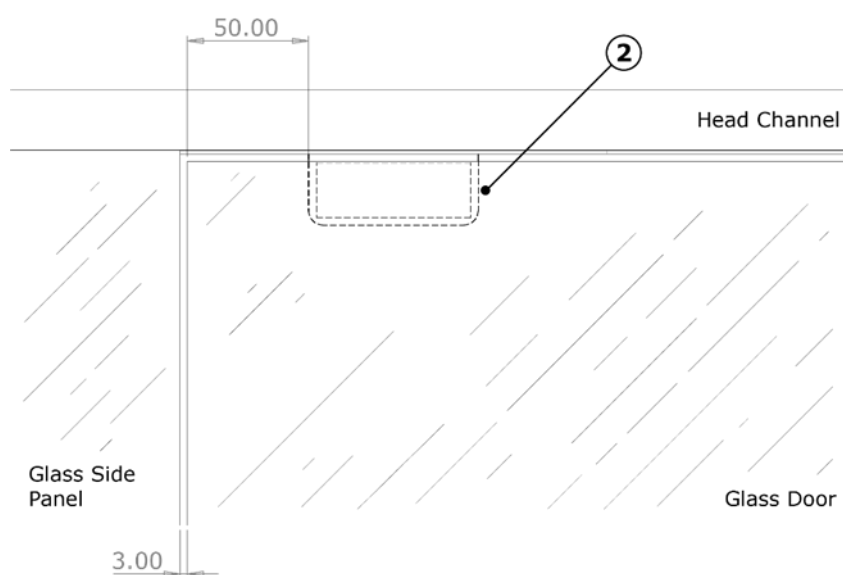
© Gooding Aluminium Limited

## Installation:

Carefully unpack the components and ensure they are in good condition & fit for purpose.

Select suitable quality fixings that are appropriate for use with the intended fixing surface.

*Please note: These instructions will set the door stop (2) 50mm in from the edge of the glass door (when using a 3mm gap between the door and the glass side panel) Fig.1*



**Fig 1**

**N.B.** These instructions apply with the head channel already secured in position, the side panels glazed and the glass door hung.

Step 1. Locate the setting-out plate into the head channel (door leading edge end), ensuring it is sitting flat, central and in tight against the vertical edge of the glass panel adjacent to the door.

Step 2. Using the two pre-drilled holes, mark the inside base of the head channel ready for drilling.

Step 3. Remove the setting-out plate and drill the 2 holes to suit the fixings.

Step 4. Secure the door stop into the head channel, ensuring it is the correct way around (cushion pad facing the door) and is sitting flat and central with the fixing holes properly aligned.

Step 5. Fit the snap-in cover plate to the head channel, locating the notch around the door stop.

**Additional note:** *If using the door pivot kit, fit the door stop first and then trim the snap-in cover plate provided with the door pivot kit afterwards, ensuring the pivot end is cut first to suit the pre-drilled hole)*

GA Helpline 020 8692 2255 Mon-Fri 8.30am-5pm for professional assistance [www.goodngalum.com](http://www.goodngalum.com)

Email: [sales@goodingalum.com](mailto:sales@goodingalum.com)

© Gooding Aluminium Limited