

## Installation

### GA Premium Stair Nosings (intended for dry internal applications only)

#### Introduction:

1 of 2

Please read these instructions before using this product. If there is anything you do not understand or if you want to know more about these items, please contact GA.

GA Premium stair nosings must be installed by suitably qualified contractors with the required knowledge and expertise. Current standard construction methods must be used.

It is the responsibility of the contractor to ensure proper safety during and after completion of the installation, so that the nosings remain safely secured to the stairs.

Before beginning the installation, please refer to our Health & Safety data sheet, for guidance regarding Off-Loading, Site Storage etc.

Please note that on anodised stock lengths, jig or clamp marks are normally visible at the extreme ends. These unsightly marks should be cut away before cutting to the required stair width.

#### Fixing:

Premium stair nosings comprise 2 parts, the hosting profile and the tread insert (the tread insert is fitted after the hosting profiles are fixed to the stairs).

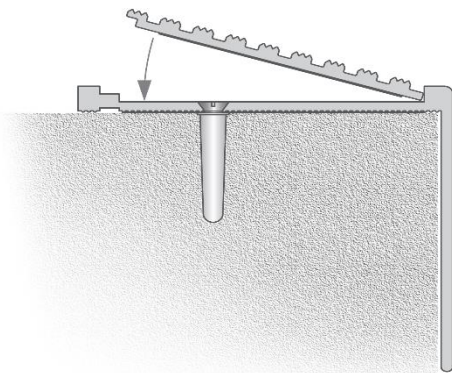


Fig.1: Hosting profile with tread insert.

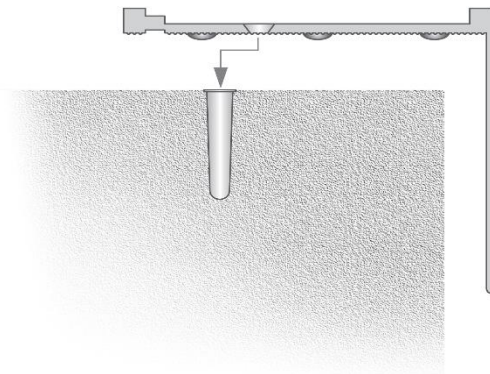


Fig. 2: Hosting profile prior to fixing.

Hosting profiles are normally drilled and countersunk @ approximately 350mm centres to suit No.8 (4mm  $\phi$ ) screws.

These profiles **must** be secured by both a rapid curing flexible adhesive\* (e.g. Stycco Flex or similar) and screw fixings.

Using the cut lengths of nosings as templates, mark out the location of the fixing holes.

Pre-drill timber/board steps with a pilot hole or drill and plug other surfaces.

The fixing surface must be in good sound condition and level, dry, free of dust/dirt etc.

**GA Helpline 020 8692 2255 Mon-Fri 8.30am – 5pm for professional assistance**

[www.goodingalum.com](http://www.goodingalum.com) [sales@goodingalum.com](mailto:sales@goodingalum.com)

©Gooding Aluminium Limited



## **Installation** (ctd)

### **GA Premium Stair Nosings** (intended for dry internal applications only)

**2 of 2**

Ensure the underside of the hosting profiles are degreased and cleaned of any other contaminants.

Apply the manufacturer's recommended number of continuous and evenly spaced beads of adhesive\* to the underside of the nosings and press fit/slide into position. To ensure an even spread of adhesive, apply a firm even pressure across the full stair width.

Once positioned on the step screw down the hosting profile, using No.8 (4mm  $\varnothing$ ) screws.

Wipe away any excess adhesive\* and other contaminants from the top surface of the hosting profile.

Once the adhesive\* has fully cured, remove the paper shield from the double-sided tape on the underside of the tread insert. Position the tread against the front edge of the hosting profile and firmly press down into position along the full width.

\*Adhesives must be applied in accordance with the manufacturer's instructions. Attention should be made to curing times and ambient temperature conditions for fixing.

Note 1. The legal responsibility, for the supply and performance of the adhesives, lies with the adhesive manufacturer.

Note 2. These stair nosings are intended for dry interior environments only.

#### **Cleaning & Maintenance:**

Regular housekeeping, maintenance and inspection are key to reducing the likelihood of stair falls.

Frequent checks should be made to ensure that the nosings and treads remain securely fitted and maintained to remain so.

All that is normally required, to maintain the appearance and prevent the build-up of surface contaminants on the tread surface, is a daily vacuum with a soft brush attachment followed by a wipe over with a soft, dry cloth.

Any liquids being used for cleaning purposes must be applied in small amounts to a soft cloth. Grease or oil deposits can be removed with an organic solvent such as white spirit, followed by wiping over with a mild diluted detergent and rinsing with cold clean water. Dry off with a soft cloth, treads must not be left in a wet condition.

It is important that abrasive cleaners or scourers are not used as they may damage the surface. Polishes and floor sealers will reduce slip resistance and therefore must not be used.

**GA Helpline 020 8692 2255 Mon-Fri 8.30am – 5pm for professional assistance**

[www.goodingalum.com](http://www.goodingalum.com) [sales@goodingalum.com](mailto:sales@goodingalum.com)

©Gooding Aluminium Limited